

# 256 Kbit / 512 Kbit / 1 Mbit / 2 Mbit (x8) Many-Time Programmable Flash

## SST27SF256 / SST27SF512 / SST27SF010 / SST27SF020



Data Sheet

### FEATURES:

- **Organized as 32K x8 / 64K x8 / 128K x8 / 256K x8**
- **4.5-5.5V Read Operation**
- **Superior Reliability**
  - Endurance: At least 1000 Cycles
  - Greater than 100 years Data Retention
- **Low Power Consumption**
  - Active Current: 20 mA (typical)
  - Standby Current: 10  $\mu$ A (typical)
- **Fast Read Access Time**
  - 70 ns
  - 90 ns
- **Fast Byte-Program Operation**
  - Byte-Program Time: 20  $\mu$ s (typical)
  - Chip Program Time:
    - 0.7 seconds (typical) for SST27SF256
    - 1.4 seconds (typical) for SST27SF512
    - 2.8 seconds (typical) for SST27SF010
    - 5.6 seconds (typical) for SST27SF020
- **Electrical Erase Using Programmer**
  - Does not require UV source
  - Chip-Erase Time: 100 ms (typical)
- **TTL I/O Compatibility**
- **JEDEC Standard Byte-wide EPROM Pinouts**
- **Packages Available**
  - 32-pin PLCC
  - 32-pin TSOP (8mm x 14mm)
  - 28-pin PDIP for SST27SF256/512
  - 32-pin PDIP for SST27SF010/020

### PRODUCT DESCRIPTION

The SST27SF256/512/010/020 are a 32K x8 / 64K x8 / 128K x8 / 256K x8 CMOS, Many-Time Programmable (MTP) low cost flash, manufactured with SST's proprietary, high performance SuperFlash technology. The split-gate cell design and thick oxide tunneling injector attain better reliability and manufacturability compared with alternate approaches. These MTP devices can be electrically erased and programmed at least 1000 times using an external programmer with a 12 volt power supply. They have to be erased prior to programming. These devices conform to JEDEC standard pinouts for byte-wide memories.

Featuring high performance Byte-Program, the SST27SF256/512/010/020 provide a Byte-Program time of 20  $\mu$ s. Designed, manufactured, and tested for a wide spectrum of applications, these devices are offered with an endurance of at least 1000 cycles. Data retention is rated at greater than 100 years.

The SST27SF256/512/010/020 are suited for applications that require infrequent writes and low power nonvolatile storage. These devices will improve flexibility, efficiency, and performance while matching the low cost in nonvolatile applications that currently use UV-EPROMs, OTPs, and mask ROMs.

To meet surface mount and conventional through hole requirements, the SST27SF256/512 are offered in 32-pin PLCC, 32-pin TSOP, and 28-pin PDIP packages. The SST27SF010/020 are offered in 32-pin PDIP, 32-pin PLCC and 32-pin TSOP packages. See Figures 1, 2, and 3 for pinouts.

### Device Operation

The SST27SF256/512/010/020 are a low cost flash solution that can be used to replace existing UV-EPROM, OTP, and mask ROM sockets. These devices are functionally (read and program) and pin compatible with industry standard EPROM products. In addition to EPROM functionality, these devices also support electrical erase operation via an external programmer. They do not require a UV source to erase, and therefore the packages do not have a window.

### Read

The Read operation of the SST27SF256/512/010/020 is controlled by CE# and OE#. Both CE# and OE# have to be low for the system to obtain data from the outputs. Once the address is stable, the address access time is equal to the delay from CE# to output ( $T_{CE}$ ). Data is available at the output after a delay of  $T_{OE}$  from the falling edge of OE#, assuming that CE# pin has been low and the addresses have been stable for at least  $T_{CE} - T_{OE}$ . When the CE# pin is high, the chip is deselected and a typical standby current of 10  $\mu$ A is consumed. OE# is the output control and is used to gate data from the output pins. The data bus is in high impedance state when either CE# or OE# is high.

### Byte-Program Operation

The SST27SF256/512/010/020 are programmed by using an external programmer. The programming mode for SST27SF256/010/020 is activated by asserting 12V ( $\pm$ 5%)



www.DataSheet4U.com

## 256 Kbit / 512 Kbit / 1 Mbit / 2 Mbit Multi-Purpose Flash SST27SF256 / SST27SF512 / SST27SF010 / SST27SF020

Data Sheet

on  $V_{PP}$  pin,  $V_{DD} = 5V (\pm 5\%)$ ,  $V_{IL}$  on CE# pin, and  $V_{IH}$  on OE# pin. The programming mode for SST27SF512 is activated by asserting 12V ( $\pm 5\%$ ) on OE#/ $V_{PP}$  pin,  $V_{DD} = 5V (\pm 5\%)$ , and  $V_{IL}$  on CE# pin. These devices are programmed byte-by-byte with the desired data at the desired address using a single pulse (CE# pin low for SST27SF256/512 and PGM# pin low for SST27SF010/020) of 20  $\mu s$ . Using the MTP programming algorithm, the Byte-Programming process continues byte-by-byte until the entire chip has been programmed.

### Chip-Erase Operation

The only way to change a data from a "0" to "1" is by electrical erase that changes every bit in the device to "1". Unlike traditional EPROMs, which use UV light to do the Chip-Erase, the SST27SF256/512/010/020 uses an electrical Chip-Erase operation. This saves a significant amount of time (about 30 minutes for each Erase operation). The entire chip can be erased in a single pulse of 100 ms (CE# pin low for SST27SF256/512 and PGM# pin for SST27SF010/020). In order to activate the Erase mode for SST27SF256/010/020, the 12V ( $\pm 5\%$ ) is applied to  $V_{PP}$  and  $A_9$  pins,  $V_{DD} = 5V (\pm 5\%)$ ,  $V_{IL}$  on CE# pin, and  $V_{IH}$  on OE# pin. In order to activate Erase mode for SST27SF512, the 12V ( $\pm 5\%$ ) is applied to OE#/ $V_{PP}$  and  $A_9$  pins,  $V_{DD} = 5V (\pm 5\%)$ , and  $V_{IL}$  on CE# pin. All other address and data pins are "don't care". The falling edge of CE# (PGM# for SST27SF010/020) will start the Chip-Erase operation. Once the chip has been erased, all bytes must be verified for FFH. Refer to Figures 13, 14, and 15 for the flowcharts.

### Product Identification Mode

The Product Identification mode identifies the devices as the SST27SF256, SST27SF512, SST27SF010 and SST27SF020 and manufacturer as SST. This mode may be accessed by the hardware method. To activate this mode for SST27SF256/010/020, the programming equipment must force  $V_H$  (12V $\pm 5\%$ ) on address  $A_9$  with  $V_{PP}$  pin at  $V_{DD}$  (5V $\pm 10\%$ ) or  $V_{SS}$ . To activate this mode for SST27SF512, the programming equipment must force  $V_H$  (12V $\pm 5\%$ ) on address  $A_9$  with OE#/ $V_{PP}$  pin at  $V_{IL}$ . Two identifier bytes may then be sequenced from the device outputs by toggling address line  $A_0$ . For details, see Tables 3, 4, and 5 for hardware operation.

**TABLE 1: PRODUCT IDENTIFICATION**

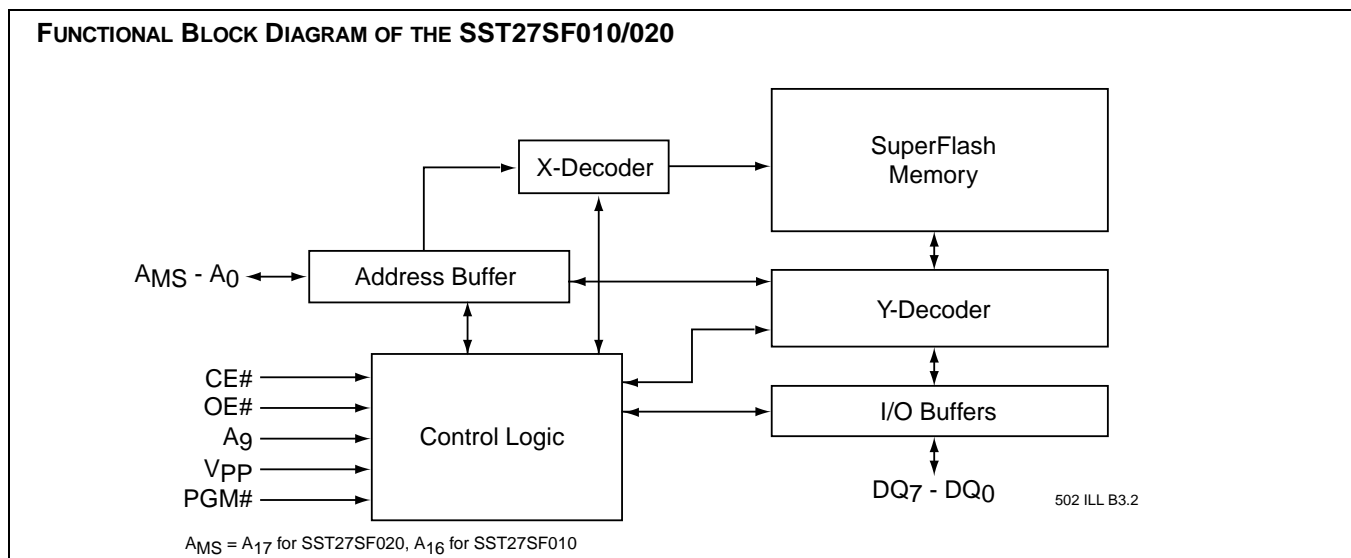
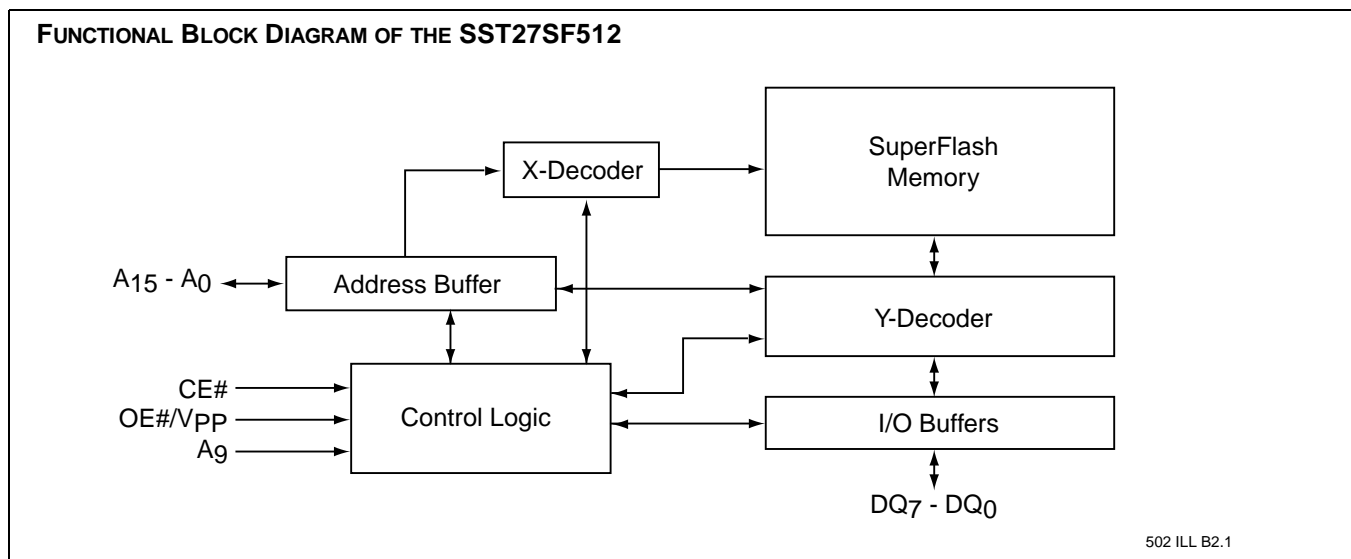
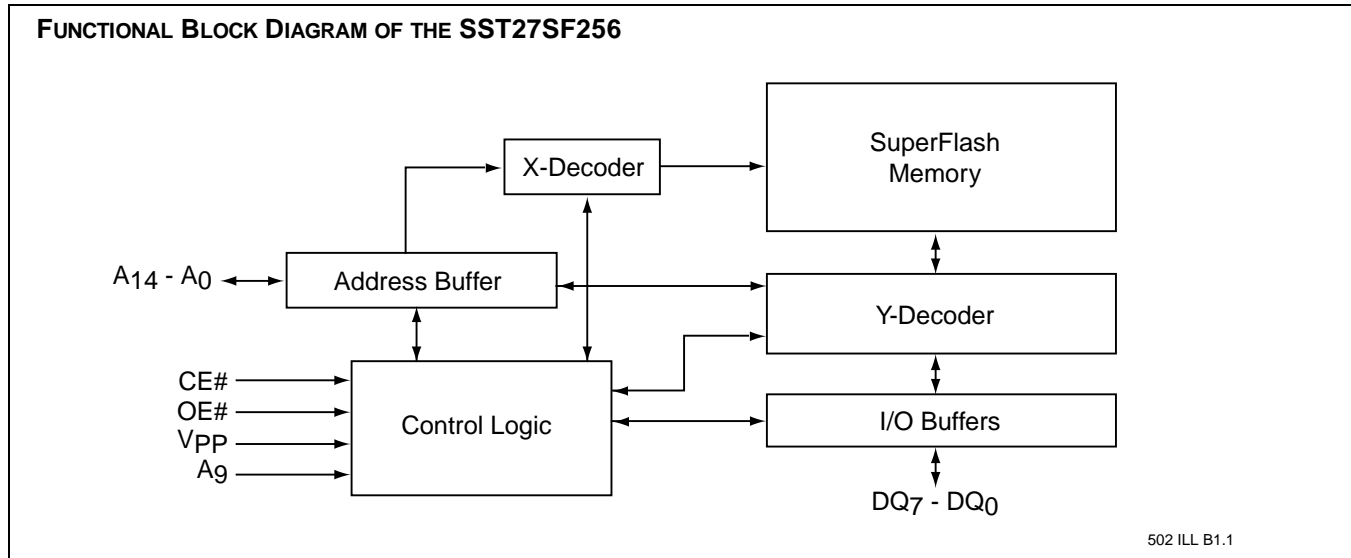
	Address	Data
Manufacturer's ID	0000H	BFH
Device ID		
SST27SF256	0001H	A3H
SST27SF512	0001H	A4H
SST27SF010	0001H	A5H
SST27SF020	0001H	A6H

T1.1 502

**256 Kbit / 512 Kbit / 1 Mbit / 2 Mbit Multi-Purpose Flash**  
**SST27SF256 / SST27SF512 / SST27SF010 / SST27SF020**

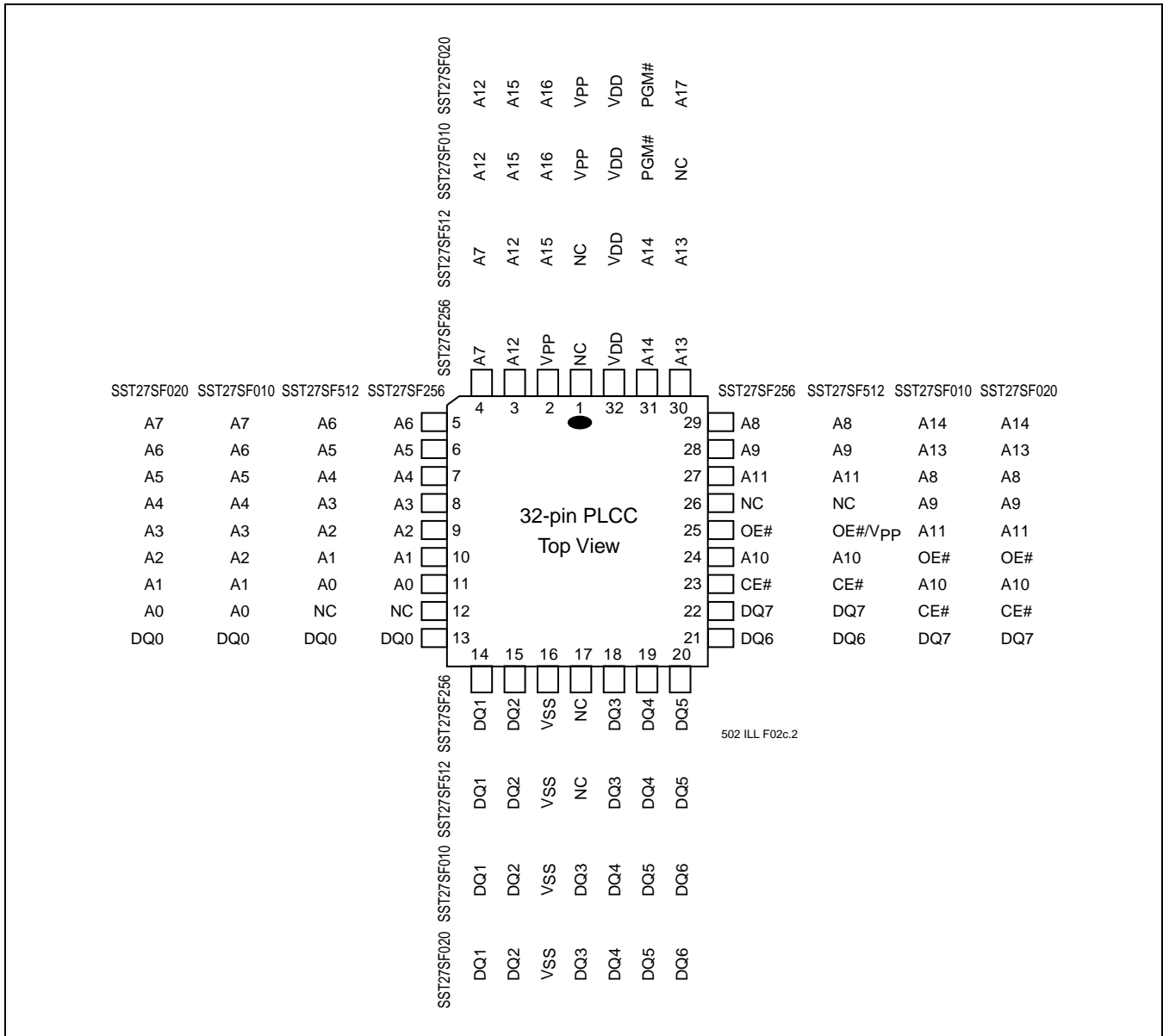


Data Sheet





256 Kbit / 512 Kbit / 1 Mbit / 2 Mbit Multi-Purpose Flash  
 SST27SF256 / SST27SF512 / SST27SF010 / SST27SF020

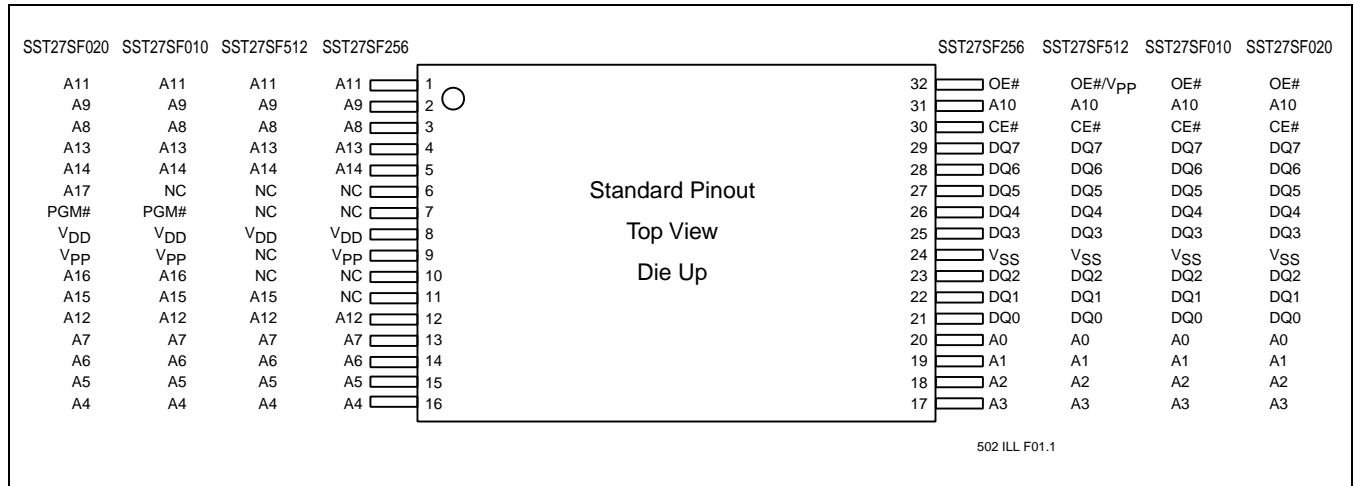


**FIGURE 1: PIN ASSIGNMENTS FOR 32-PIN PLCC**

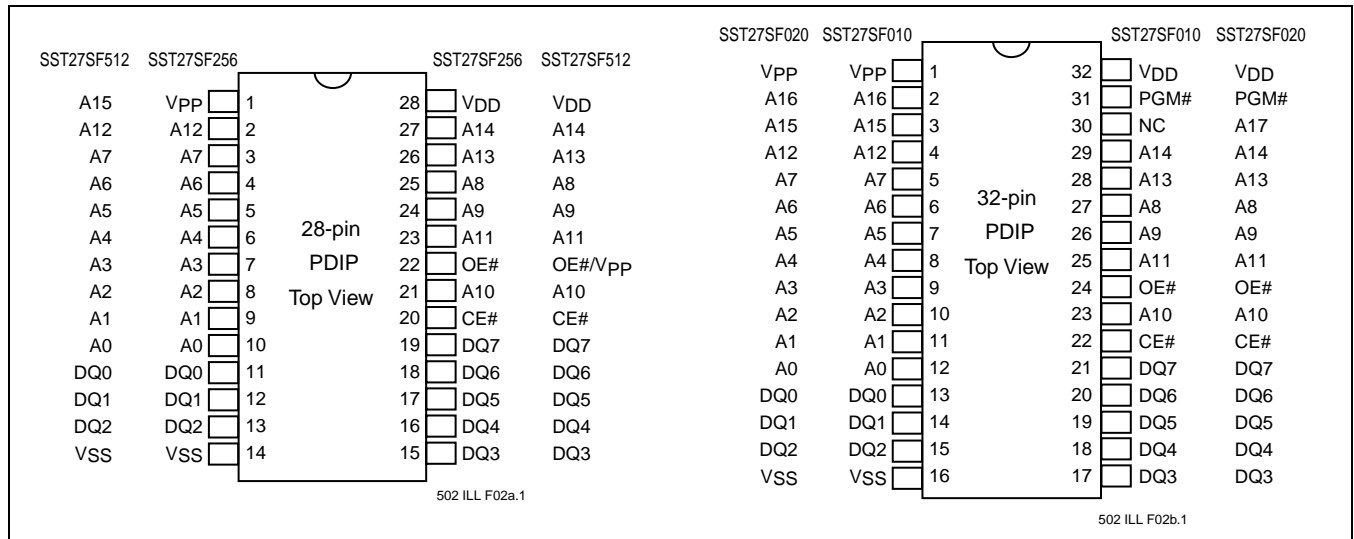
# 256 Kbit / 512 Kbit / 1 Mbit / 2 Mbit Multi-Purpose Flash SST27SF256 / SST27SF512 / SST27SF010 / SST27SF020



## Data Sheet



**FIGURE 2: PIN ASSIGNMENTS FOR 32-PIN TSOP (8MM X 14MM)**



**FIGURE 3: PIN ASSIGNMENTS FOR 28-PIN AND 32-PIN PDIP**



www.DataSheet4U.com  
**256 Kbit / 512 Kbit / 1 Mbit / 2 Mbit Multi-Purpose Flash**  
**SST27SF256 / SST27SF512 / SST27SF010 / SST27SF020**

Data Sheet

**TABLE 2: PIN DESCRIPTION**

Symbol	Pin Name	Functions
$A_{MS}^1-A_0$	Address Inputs	To provide memory addresses
DQ <sub>7</sub> -DQ <sub>0</sub>	Data Input/output	To output data during Read cycles and receive input data during Program cycles The outputs are in tri-state when OE# or CE# is high.
CE#	Chip Enable	To activate the device when CE# is low
OE#	Output Enable	For SST27SF256/010/020, to gate the data output buffers during Read operation
OE#/V <sub>PP</sub>	Output Enable/V <sub>PP</sub>	For SST27SF512, to gate the data output buffers during Read operation and high voltage pin during Chip-Erase and programming operation
V <sub>PP</sub>	Power Supply for Program or Erase	For SST27SF256/010/020, high voltage pin during Chip-Erase and programming operation 12V ( $\pm 5\%$ )
V <sub>DD</sub>	Power Supply	To provide 5.0V supply ( $\pm 10\%$ )
V <sub>SS</sub>	Ground	
NC	No Connection	Unconnected pins.

T2.3 502

1.  $A_{MS}$  = Most significant address  
 $A_{MS}$  = A<sub>14</sub> for SST27SF256, A<sub>15</sub> for SST27SF512, A<sub>16</sub> for SST27SF010, and A<sub>17</sub> for SST27SF020

# 256 Kbit / 512 Kbit / 1 Mbit / 2 Mbit Multi-Purpose Flash SST27SF256 / SST27SF512 / SST27SF010 / SST27SF020



Data Sheet

**TABLE 3: OPERATION MODES SELECTION FOR SST27SF256**

Mode	CE#	OE#	V <sub>PP</sub>	A <sub>9</sub>	DQ	Address
Read	V <sub>IL</sub>	V <sub>IL</sub>	V <sub>DD</sub> or V <sub>SS</sub>	A <sub>IN</sub>	D <sub>OUT</sub>	A <sub>IN</sub>
Output Disable	V <sub>IL</sub>	V <sub>IH</sub>	V <sub>DD</sub> or V <sub>SS</sub>	X	High Z	X
Byte-Program	V <sub>IL</sub>	V <sub>IH</sub>	V <sub>PPH</sub>	A <sub>IN</sub>	D <sub>IN</sub>	A <sub>IN</sub>
Standby	V <sub>IH</sub>	X	V <sub>DD</sub> or V <sub>SS</sub>	X	High Z	X
Chip-Erase	V <sub>IL</sub>	V <sub>IH</sub>	V <sub>PPH</sub>	V <sub>H</sub>	High Z	X
Program/Erase Inhibit	V <sub>IH</sub>	X	V <sub>PPH</sub>	X	High Z	X
Product Identification	V <sub>IL</sub>	V <sub>IL</sub>	V <sub>DD</sub> or V <sub>SS</sub>	V <sub>H</sub>	Manufacturer's ID (BFH) Device ID (A3H)	A <sub>14</sub> - A <sub>1</sub> = V <sub>IL</sub> , A <sub>0</sub> = V <sub>IL</sub> A <sub>14</sub> - A <sub>1</sub> = V <sub>IL</sub> , A <sub>0</sub> = V <sub>IH</sub>

T3.1 502

**Note:** X = V<sub>IL</sub> or V<sub>IH</sub>  
V<sub>PPH</sub> = 12V±5%, V<sub>H</sub> = 12V±5%

**TABLE 4: OPERATION MODES SELECTION FOR SST27SF512**

Mode	CE#	OE#/V <sub>PP</sub>	A <sub>9</sub>	DQ	Address
Read	V <sub>IL</sub>	V <sub>IL</sub>	A <sub>IN</sub>	D <sub>OUT</sub>	A <sub>IN</sub>
Output Disable	V <sub>IL</sub>	V <sub>IH</sub>	X	High Z	X
Program	V <sub>IL</sub>	V <sub>PPH</sub>	A <sub>IN</sub>	D <sub>IN</sub>	A <sub>IN</sub>
Standby	V <sub>IH</sub>	X	X	High Z	X
Chip-Erase	V <sub>IL</sub>	V <sub>PPH</sub>	V <sub>H</sub>	High Z	X
Program/Erase Inhibit	V <sub>IH</sub>	V <sub>PPH</sub>	X	High Z	X
Product Identification	V <sub>IL</sub>	V <sub>IL</sub>	V <sub>H</sub>	Manufacturer's ID (BFH) Device ID (A4H)	A <sub>15</sub> - A <sub>1</sub> = V <sub>IL</sub> , A <sub>0</sub> = V <sub>IL</sub> A <sub>15</sub> - A <sub>1</sub> = V <sub>IL</sub> , A <sub>0</sub> = V <sub>IH</sub>

T4.1 502

**Note:** X = V<sub>IL</sub> or V<sub>IH</sub>  
V<sub>PPH</sub> = 12V±5%, V<sub>H</sub> = 12V±5%

**TABLE 5: OPERATION MODES SELECTION FOR SST27SF010/020**

Mode	CE#	OE#	PGM#	A <sub>9</sub>	V <sub>PP</sub>	DQ	Address
Read	V <sub>IL</sub>	V <sub>IL</sub>	X	A <sub>IN</sub>	V <sub>DD</sub> or V <sub>SS</sub>	D <sub>OUT</sub>	A <sub>IN</sub>
Output Disable	V <sub>IL</sub>	V <sub>IH</sub>	X	X	V <sub>DD</sub> or V <sub>SS</sub>	High Z	A <sub>IN</sub>
Program	V <sub>IL</sub>	V <sub>IH</sub>	V <sub>IL</sub>	A <sub>IN</sub>	V <sub>PPH</sub>	D <sub>IN</sub>	A <sub>IN</sub>
Standby	V <sub>IH</sub>	X	X	X	V <sub>DD</sub> or V <sub>SS</sub>	High Z	X
Chip-Erase	V <sub>IL</sub>	V <sub>IH</sub>	V <sub>IL</sub>	V <sub>H</sub>	V <sub>PPH</sub>	High Z	X
Program/Erase Inhibit	V <sub>IH</sub>	X	X	X	V <sub>PPH</sub>	High Z	X
Product Identification	V <sub>IL</sub>	V <sub>IL</sub>	X	V <sub>H</sub>	V <sub>DD</sub> or V <sub>SS</sub>	Manufacturer's ID (BFH) Device ID <sup>1</sup>	A <sub>MS</sub> <sup>2</sup> - A <sub>1</sub> = V <sub>IL</sub> , A <sub>0</sub> = V <sub>IL</sub> A <sub>MS</sub> <sup>2</sup> - A <sub>1</sub> = V <sub>IL</sub> , A <sub>0</sub> = V <sub>IH</sub>

T5.1 502

1. Device ID = A5H for SST27SF010 and A6H for SST27SF020
2. A<sub>MS</sub> = Most significant address  
A<sub>MS</sub> = A<sub>16</sub> for SST27SF010 and A<sub>17</sub> for SST27SF020

**Note:** X = V<sub>IL</sub> or V<sub>IH</sub>  
V<sub>PPH</sub> = 12V±5%, V<sub>H</sub> = 12V±5%



**256 Kbit / 512 Kbit / 1 Mbit / 2 Mbit Multi-Purpose Flash**  
**SST27SF256 / SST27SF512 / SST27SF010 / SST27SF020**

www.DataSheet4U.com

Data Sheet

**Absolute Maximum Stress Ratings** (Applied conditions greater than those listed under “Absolute Maximum Stress Ratings” may cause permanent damage to the device. This is a stress rating only and functional operation of the device at these conditions or conditions greater than those defined in the operational sections of this data sheet is not implied. Exposure to absolute maximum stress rating conditions may affect device reliability.)

Temperature Under Bias .....	-55°C to +125°C
Storage Temperature .....	-65°C to +150°C
D. C. Voltage on Any Pin to Ground Potential .....	-0.5V to V <sub>DD</sub> +0.5V
Transient Voltage (<20 ns) on Any Pin to Ground Potential .....	-1.0V to V <sub>DD</sub> +1.0V
Voltage on A <sub>9</sub> and V <sub>PP</sub> Pin to Ground Potential .....	-0.5V to 14.0V
Package Power Dissipation Capability (Ta = 25°C) .....	1.0W
Through Hold Lead Soldering Temperature (10 Seconds) .....	300°C
Surface Mount Lead Soldering Temperature (3 Seconds) .....	240°C
Output Short Circuit Current <sup>1</sup> .....	100 mA

1. Outputs shorted for no more than one second. No more than one output shorted at a time.

**OPERATING RANGE**

Range	Ambient Temp	V <sub>DD</sub>	V <sub>PP</sub>
Commercial	0°C to +70°C	5.0V±10%	12V±5%

**AC CONDITIONS OF TEST**

Input Rise/Fall Time .....	10 ns
Output Load .....	C <sub>L</sub> = 100 pF for 90 ns
Output Load .....	C <sub>L</sub> = 30 pF for 70 ns
See Figures 11 and 12	

**TABLE 6: READ MODE DC OPERATING CHARACTERISTICS FOR SST27SF256/512/010/020**  
**V<sub>DD</sub> = 5.0V±10%, V<sub>PP</sub>=V<sub>DD</sub> OR V<sub>SS</sub> (Ta = 0°C to +70°C (Commercial))**

Symbol	Parameter	Limits			Test Conditions
		Min	Max	Units	
I <sub>DD</sub>	V <sub>DD</sub> Read Current		30	mA	Address input=V <sub>IL</sub> /V <sub>IH</sub> at f=1/T <sub>RC</sub> Min V <sub>DD</sub> =V <sub>DD</sub> Max CE#=OE#=V <sub>IL</sub> , all I/Os open
I <sub>PPR</sub>	V <sub>PP</sub> Read Current		100	µA	Address input=V <sub>IL</sub> /V <sub>IH</sub> at f=1/T <sub>RC</sub> Min V <sub>DD</sub> =V <sub>DD</sub> Max, V <sub>PP</sub> =V <sub>DD</sub> CE#=OE#=V <sub>IL</sub> , all I/Os open
I <sub>SB1</sub>	Standby V <sub>DD</sub> Current (TTL input)		3	mA	CE#=V <sub>IH</sub> , V <sub>DD</sub> =V <sub>DD</sub> Max
I <sub>SB2</sub>	Standby V <sub>DD</sub> Current (CMOS input)		100	µA	CE#=V <sub>DD</sub> -0.3 V <sub>DD</sub> =V <sub>DD</sub> Max
I <sub>LI</sub>	Input Leakage Current		1	µA	V <sub>IN</sub> =GND to V <sub>DD</sub> , V <sub>DD</sub> =V <sub>DD</sub> Max
I <sub>LO</sub>	Output Leakage Current		10	µA	V <sub>OUT</sub> =GND to V <sub>DD</sub> , V <sub>DD</sub> =V <sub>DD</sub> Max
V <sub>IL</sub>	Input Low Voltage		0.8	V	V <sub>DD</sub> =V <sub>DD</sub> Min
V <sub>IH</sub>	Input High Voltage	2.0	V <sub>DD</sub> +0.5	V	V <sub>DD</sub> =V <sub>DD</sub> Max
V <sub>OL</sub>	Output Low Voltage		0.2	V	I <sub>OL</sub> =2.1 mA, V <sub>DD</sub> =V <sub>DD</sub> Min
V <sub>OH</sub>	Output High Voltage	2.4		V	I <sub>OH</sub> =-400 µA, V <sub>DD</sub> =V <sub>DD</sub> Min
I <sub>H</sub>	Supervoltage Current for A <sub>9</sub>		100	µA	CE#=OE#=V <sub>IL</sub> , A <sub>9</sub> =V <sub>H</sub> Max

T6.3 502



# 256 Kbit / 512 Kbit / 1 Mbit / 2 Mbit Multi-Purpose Flash SST27SF256 / SST27SF512 / SST27SF010 / SST27SF020



Data Sheet

**TABLE 7: PROGRAM/ERASE DC OPERATING CHARACTERISTICS FOR SST27SF256**  
 $V_{DD}=5.0V\pm 10\%$ ,  $V_{PP}=V_{PPH}$  ( $T_a=25^{\circ}C\pm 5^{\circ}C$ )

Symbol	Parameter	Limits			Test Conditions
		Min	Max	Units	
$I_{DD}$	$V_{DD}$ Erase or Program Current		30	mA	$CE\#=V_{IL}$ , $OE\#=V_{IH}$ , $V_{PP}=12V\pm 5\%$ , $V_{DD}=V_{DD}$ Max
$I_{PP}$	$V_{PP}$ Erase or Program Current		1	mA	$CE\#=V_{IL}$ , $OE\#=V_{IH}$ , $V_{PP}=12V\pm 5\%$ , $V_{DD}=V_{DD}$ Max
$I_{LI}$	Input Leakage Current		1	$\mu A$	$V_{IN}=GND$ to $V_{DD}$ , $V_{DD}=V_{DD}$ Max
$I_{LO}$	Output Leakage Current		1	$\mu A$	$V_{OUT}=GND$ to $V_{DD}$ , $V_{DD}=V_{DD}$ Max
$V_H$	Supervoltage for $A_9$	11.4	12.6	V	$CE\#=OE\#=V_{IL}$ ,
$I_H$	Supervoltage Current for $A_9$		100	$\mu A$	$CE\#=OE\#=V_{IL}$ , $A_9=V_H$ Max
$V_{PPH}$	High Voltage for $V_{PP}$ Pin	11.4	12.6	V	

T7.1 502

**TABLE 8: PROGRAM/ERASE DC OPERATING CHARACTERISTICS FOR SST27SF512**  
 $V_{DD}=5.0V\pm 10\%$ ,  $V_{PP}=V_{PPH}$  ( $T_a=25^{\circ}C\pm 5^{\circ}C$ )

Symbol	Parameter	Limits			Test Conditions
		Min	Max	Units	
$I_{DD}$	$V_{DD}$ Erase or Program Current		30	mA	$CE\#=V_{IL}$ , $OE\#/V_{PP}=12V\pm 5\%$ , $V_{DD}=V_{DD}$ Max
$I_{PP}$	$V_{PP}$ Erase or Program Current		1	mA	$CE\#=V_{IL}$ , $OE\#/V_{PP}=12V\pm 5\%$ , $V_{DD}=V_{DD}$ Max
$I_{LI}$	Input Leakage Current		1	$\mu A$	$V_{IN}=GND$ to $V_{DD}$ , $V_{DD}=V_{DD}$ Max
$I_{LO}$	Output Leakage Current		1	$\mu A$	$V_{OUT}=GND$ to $V_{DD}$ , $V_{DD}=V_{DD}$ Max
$V_H$	Supervoltage for $A_9$	11.4	12.6	V	$CE\#=OE\#/V_{PP}=V_{IL}$ ,
$I_H$	Supervoltage Current for $A_9$		100	$\mu A$	$CE\#=OE\#/V_{PP}=V_{IL}$ , $A_9=V_H$ Max
$V_{PPH}$	High Voltage for $OE\#/V_{PP}$ Pin	11.4	12.6	V	

T8.1 502

**TABLE 9: PROGRAM/ERASE DC OPERATING CHARACTERISTICS FOR SST27SF010/020**  
 $V_{DD}=5.0V\pm 10\%$ ,  $V_{PP}=V_{PPH}$  ( $T_a=25^{\circ}C\pm 5^{\circ}C$ )

Symbol	Parameter	Limits			Test Conditions
		Min	Max	Units	
$I_{DD}$	$V_{DD}$ Erase or Program Current		30	mA	$CE\#=PGM\#=V_{IL}$ , $OE\#=V_{IH}$ , $V_{PP}=12V\pm 5\%$ , $V_{DD}=V_{DD}$ Max
$I_{PP}$	$V_{PP}$ Erase or Program Current		1	mA	$CE\#=PGM\#=V_{IL}$ , $OE\#=V_{IH}$ , $V_{PP}=12V\pm 5\%$ , $V_{DD}=V_{DD}$ Max
$I_{LI}$	Input Leakage Current		1	$\mu A$	$V_{IN}=GND$ to $V_{DD}$ , $V_{DD}=V_{DD}$ Max
$I_{LO}$	Output Leakage Current		1	$\mu A$	$V_{OUT}=GND$ to $V_{DD}$ , $V_{DD}=V_{DD}$ Max
$V_H$	Supervoltage for $A_9$	11.4	12.6	V	$CE\#=OE\#=V_{IL}$ ,
$I_H$	Supervoltage Current for $A_9$		100	$\mu A$	$CE\#=OE\#=V_{IL}$ , $A_9=V_H$ Max
$V_{PPH}$	High Voltage for $V_{PP}$ Pin	11.4	12.6	V	

T9.1 502



www.DataSheet4U.com

## 256 Kbit / 512 Kbit / 1 Mbit / 2 Mbit Multi-Purpose Flash SST27SF256 / SST27SF512 / SST27SF010 / SST27SF020

Data Sheet

**TABLE 10: RECOMMENDED SYSTEM POWER-UP TIMINGS**

Symbol	Parameter	Minimum	Units
T <sub>PU-READ</sub> <sup>1</sup>	Power-up to Read Operation	100	μs
T <sub>PU-WRITE</sub> <sup>1</sup>	Power-up to Write Operation	100	μs

T10.1 502

1. This parameter is measured only for initial qualification and after a design or process change that could affect this parameter.

**TABLE 11: CAPACITANCE (Ta = 25°C, f=1 Mhz, other pins open)**

Parameter	Description	Test Condition	Maximum
C <sub>I/O</sub> <sup>1</sup>	I/O Pin Capacitance	V <sub>I/O</sub> = 0V	12 pF
C <sub>IN</sub> <sup>1</sup>	Input Capacitance	V <sub>IN</sub> = 0V	6 pF

T11.0 502

1. This parameter is measured only for initial qualification and after a design or process change that could affect this parameter.

**TABLE 12: RELIABILITY CHARACTERISTICS**

Symbol	Parameter	Minimum Specification	Units	Test Method
N <sub>END</sub> <sup>1</sup>	Endurance	1000	Cycles	JEDEC Standard A117
T <sub>DR</sub> <sup>1</sup>	Data Retention	100	Years	JEDEC Standard A103
I <sub>LTH</sub> <sup>1</sup>	Latch Up	100	mA	JEDEC Standard 78

T12.2 502

1. This parameter is measured only for initial qualification and after a design or process change that could affect this parameter.

## AC CHARACTERISTICS

**TABLE 13: READ CYCLE TIMING PARAMETERS V<sub>DD</sub> = 5.0V±10% (Ta = 0°C to +70°C (Commercial))**

Symbol	Parameter	SST27SF256-70 SST27SF512-70 SST27SF010-70 SST27SF020-70		SST27SF256-90 SST27SF512-90 SST27SF010-90 SST27SF020-90		Units
		Min	Max	Min	Max	
T <sub>RC</sub>	Read Cycle Time	70		90		ns
T <sub>CE</sub>	Chip Enable Access Time		70		90	ns
T <sub>AA</sub>	Address Access Time		70		90	ns
T <sub>OE</sub>	Output Enable Access Time		35		45	ns
T <sub>CLZ</sub> <sup>1</sup>	CE# Low to Active Output	0		0		ns
T <sub>OLZ</sub> <sup>1</sup>	OE# Low to Active Output	0		0		ns
T <sub>CHZ</sub> <sup>1</sup>	CE# High to High-Z Output		25		30	ns
T <sub>OHZ</sub> <sup>1</sup>	OE# High to High-Z Output		25		30	ns
T <sub>OH</sub> <sup>1</sup>	Output Hold from Address Change	0		0		ns

T13.1 502

1. This parameter is measured only for initial qualification and after a design or process change that could affect this parameter.

# 256 Kbit / 512 Kbit / 1 Mbit / 2 Mbit Multi-Purpose Flash SST27SF256 / SST27SF512 / SST27SF010 / SST27SF020



Data Sheet

**TABLE 14: PROGRAM/ERASE CYCLE TIMING PARAMETERS FOR SST27SF256**

Symbol	Parameter	Min	Max	Units
T <sub>AS</sub>	Address Setup Time	1		μs
T <sub>AH</sub>	Address Hold Time	1		μs
T <sub>PRT</sub>	V <sub>PP</sub> Pulse Rise Time	50		ns
T <sub>VPS</sub>	V <sub>PP</sub> Setup Time	1		μs
T <sub>VPH</sub>	V <sub>PP</sub> Hold Time	1		μs
T <sub>PW</sub>	CE# Program Pulse Width	20	30	μs
T <sub>EW</sub>	CE# Erase Pulse Width	100	500	ms
T <sub>DS</sub>	Data Setup Time	1		μs
T <sub>DH</sub>	Data Hold Time	1		μs
T <sub>VR</sub>	V <sub>PP</sub> and A <sub>9</sub> Recovery Time	1		μs
T <sub>ART</sub>	A <sub>9</sub> Rise Time to 12V during Erase	50		ns
T <sub>A9S</sub>	A <sub>9</sub> Setup Time during Erase	1		μs
T <sub>A9H</sub>	A <sub>9</sub> Hold Time during Erase	1		μs

T14.0 502

**TABLE 15: PROGRAM/ERASE CYCLE TIMING PARAMETERS FOR SST27SF512**

Symbol	Parameter	Min	Max	Units
T <sub>AS</sub>	Address Setup Time	1		μs
T <sub>AH</sub>	Address Hold Time	1		μs
T <sub>PRT</sub>	OE#/V <sub>PP</sub> Pulse Rise Time	50		ns
T <sub>VPS</sub>	OE#/V <sub>PP</sub> Setup Time	1		μs
T <sub>VPH</sub>	OE#/V <sub>PP</sub> Hold Time	1		μs
T <sub>PW</sub>	CE# Program Pulse Width	20	30	μs
T <sub>EW</sub>	CE# Erase Pulse Width	100	500	ms
T <sub>DS</sub>	Data Setup Time	1		μs
T <sub>DH</sub>	Data Hold Time	1		μs
T <sub>VR</sub>	OE#/V <sub>PP</sub> and A <sub>9</sub> Recovery Time	1		μs
T <sub>ART</sub>	A <sub>9</sub> Rise Time to 12V during Erase	50		ns
T <sub>A9S</sub>	A <sub>9</sub> Setup Time during Erase	1		μs
T <sub>A9H</sub>	A <sub>9</sub> Hold Time during Erase	1		μs

T15.0 502

**TABLE 16: PROGRAM/ERASE CYCLE TIMING PARAMETERS FOR SST27SF010/020**

Symbol	Parameter	Min	Max	Units
T <sub>CES</sub>	CE# Setup Time	1		μs
T <sub>CEH</sub>	CE# Hold Time	1		μs
T <sub>AS</sub>	Address Setup Time	1		μs
T <sub>AH</sub>	Address Hold Time	1		μs
T <sub>PRT</sub>	V <sub>PP</sub> Pulse Rise Time	50		ns
T <sub>VPS</sub>	V <sub>PP</sub> Setup Time	1		μs
T <sub>VPH</sub>	V <sub>PP</sub> Hold Time	1		μs
T <sub>PW</sub>	PGM# Program Pulse Width	20	30	μs
T <sub>EW</sub>	PGM# Erase Pulse Width	100	500	ms
T <sub>DS</sub>	Data Setup Time	1		μs
T <sub>DH</sub>	Data Hold Time	1		μs
T <sub>VR</sub>	A <sub>9</sub> Recovery Time for Erase	1		μs
T <sub>ART</sub>	A <sub>9</sub> Rise Time to 12V during Erase	50		ns
T <sub>A9S</sub>	A <sub>9</sub> Setup Time during Erase	1		μs
T <sub>A9H</sub>	A <sub>9</sub> Hold Time during Erase	1		μs

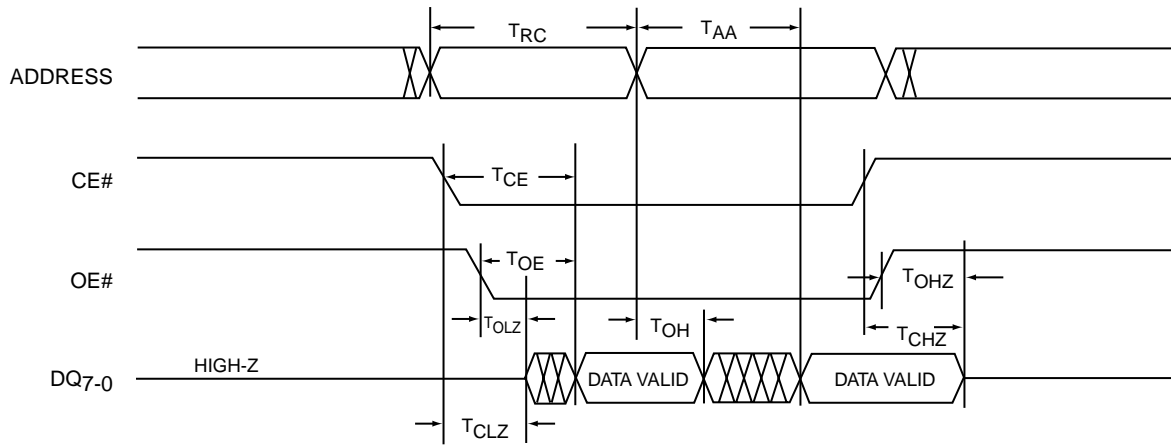
T16.0 502



256 Kbit / 512 Kbit / 1 Mbit / 2 Mbit Multi-Purpose Flash  
 SST27SF256 / SST27SF512 / SST27SF010 / SST27SF020

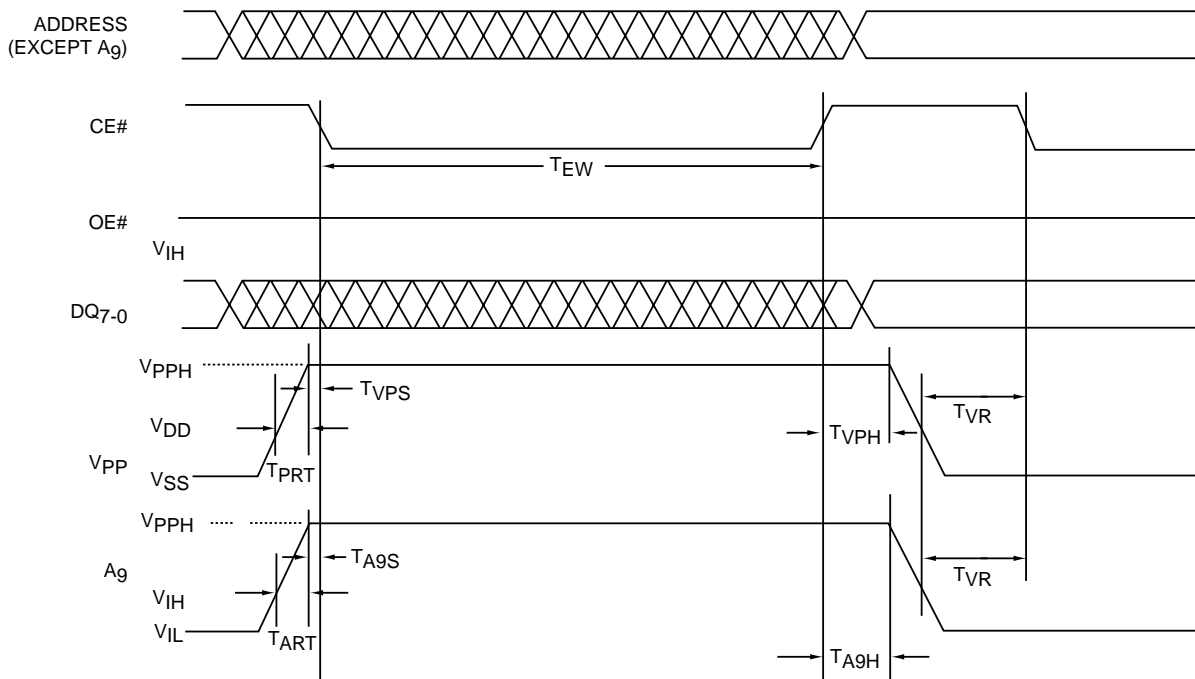
www.DataSheet4U.com

Data Sheet



502 ILL F03.0

FIGURE 4: READ CYCLE TIMING DIAGRAM FOR SST27SF256/512/010/020



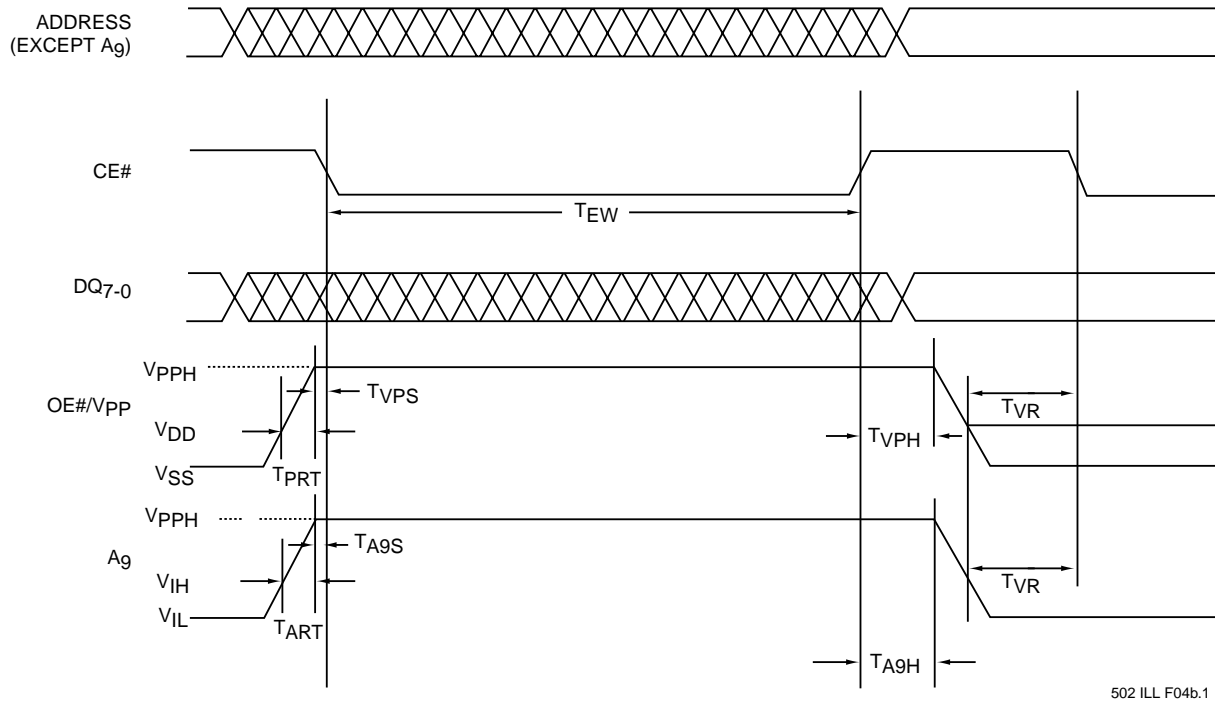
502 ILL F04a.1

FIGURE 5: CHIP-ERASE TIMING DIAGRAM FOR SST27SF256

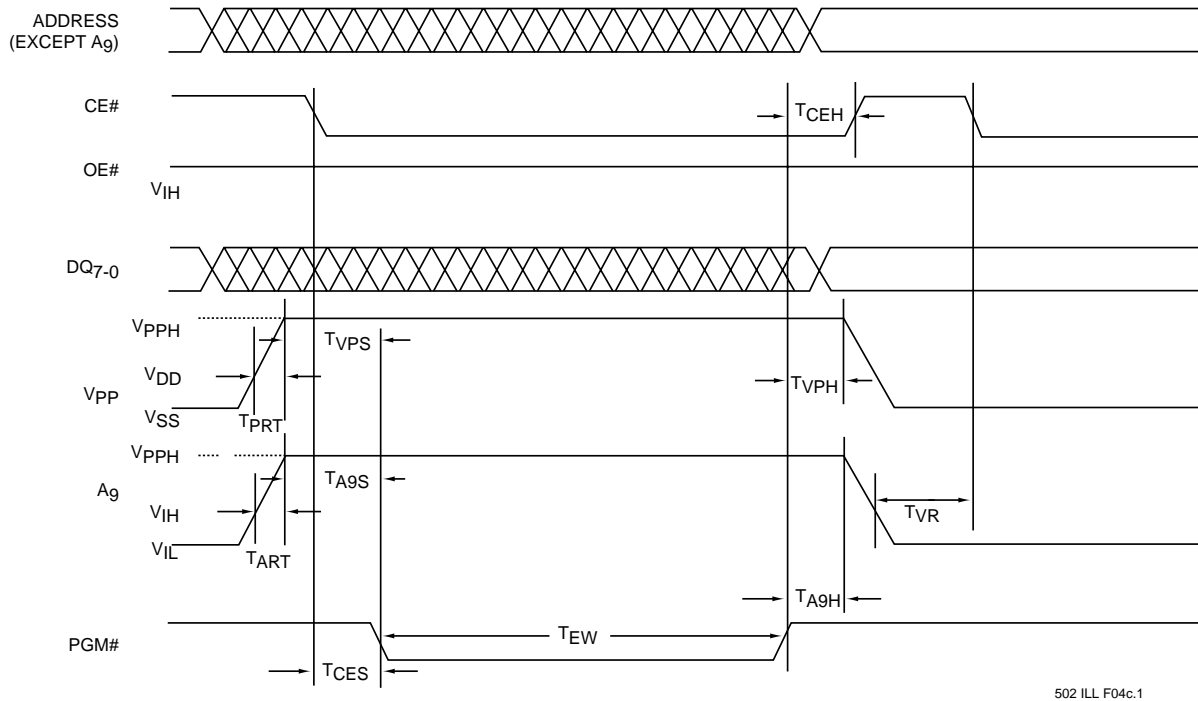
**256 Kbit / 512 Kbit / 1 Mbit / 2 Mbit Multi-Purpose Flash**  
**SST27SF256 / SST27SF512 / SST27SF010 / SST27SF020**



Data Sheet



**FIGURE 6: READ CYCLE TIMING DIAGRAM FOR SST27SF512**



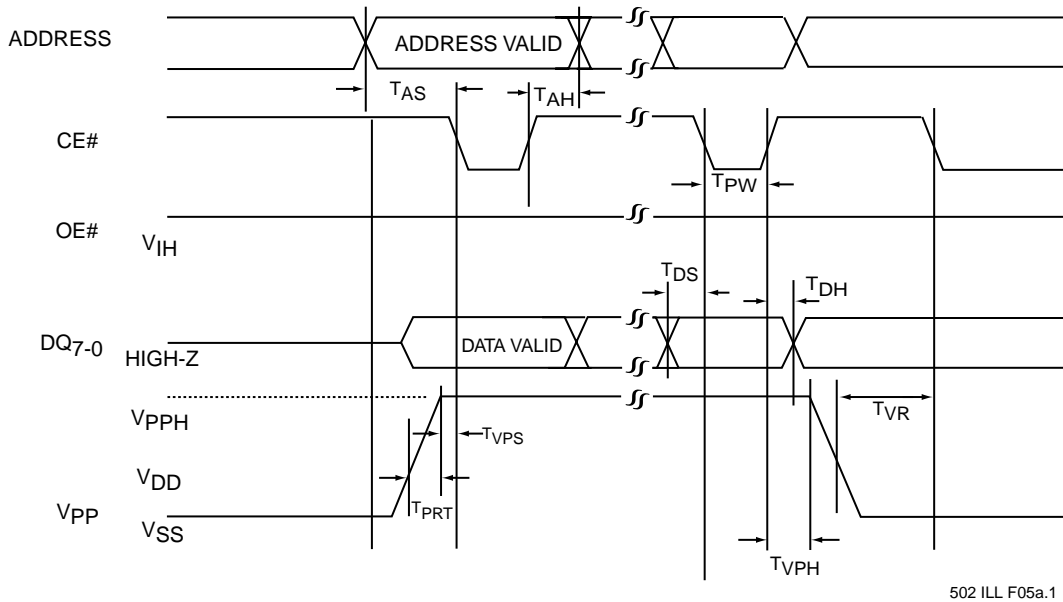
**FIGURE 7: CHIP-ERASE TIMING DIAGRAM FOR SST27SF010/020**



256 Kbit / 512 Kbit / 1 Mbit / 2 Mbit Multi-Purpose Flash  
SST27SF256 / SST27SF512 / SST27SF010 / SST27SF020

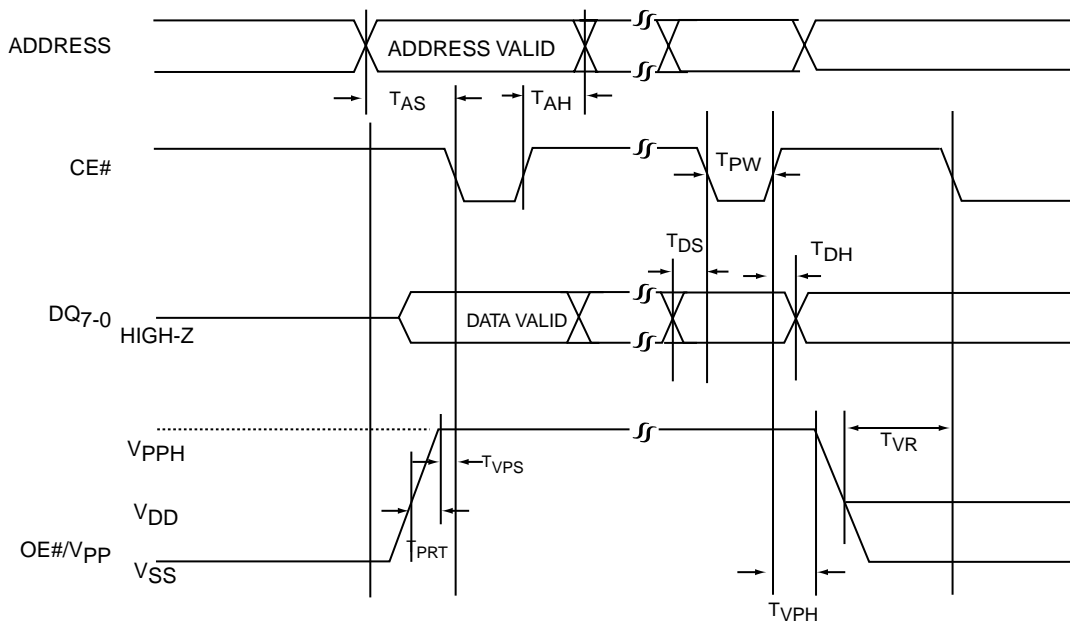
www.DataSheet4U.com

Data Sheet



502 ILL F05a.1

FIGURE 8: BYTE-PROGRAM TIMING DIAGRAM FOR SST27SF256



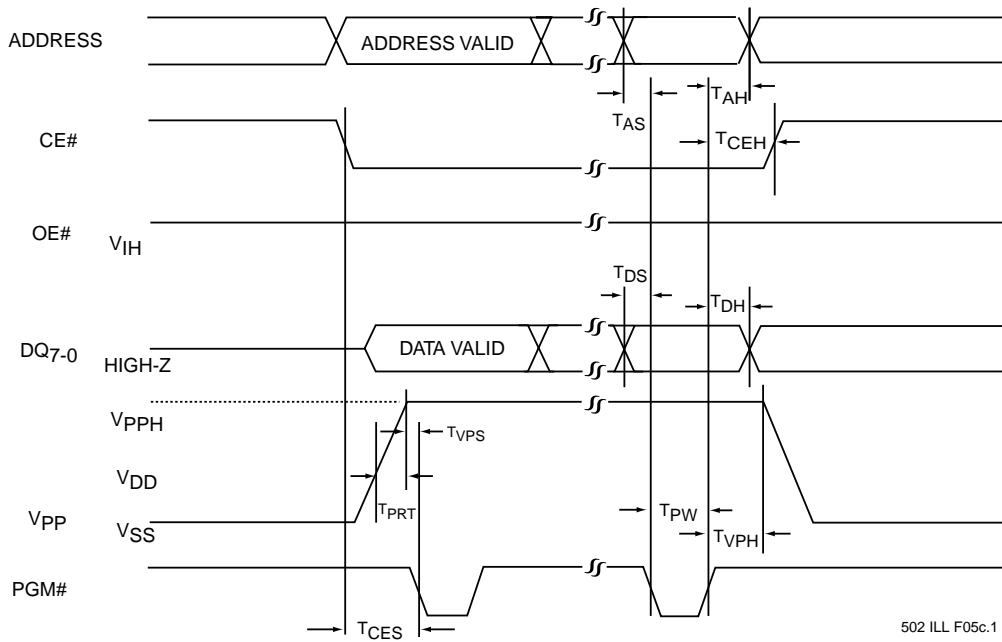
502 ILL F05b.2

FIGURE 9: BYTE-PROGRAM TIMING DIAGRAM FOR SST27SF512

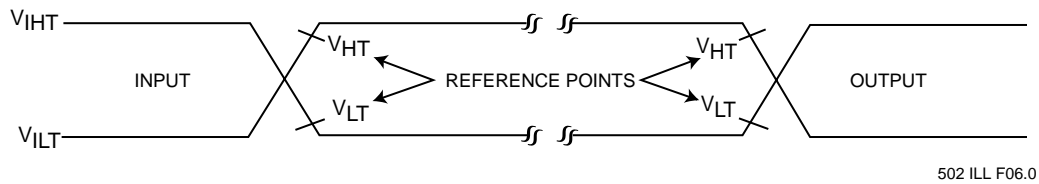
**256 Kbit / 512 Kbit / 1 Mbit / 2 Mbit Multi-Purpose Flash**  
**SST27SF256 / SST27SF512 / SST27SF010 / SST27SF020**



Data Sheet



**FIGURE 10: BYTE-PROGRAM TIMING DIAGRAM FOR SST27SF010/020**



AC test inputs are driven at  $V_{IHT}$  (2.4 V) for a logic "1" and  $V_{ILT}$  (0.4 V) for a logic "0". Measurement reference points for inputs and outputs are  $V_{HT}$  (2.0 V) and  $V_{LT}$  (0.8 V). Input rise and fall times (10%  $\leftrightarrow$  90%) are <10 ns.

**Note:**  $V_{HT}$  -  $V_{HIGH}$  Test  
 $V_{LT}$  -  $V_{LOW}$  Test  
 $V_{IHT}$  -  $V_{INPUT HIGH}$  Test  
 $V_{ILT}$  -  $V_{INPUT LOW}$  Test

FIGURE 11: AC INPUT/OUTPUT REFERENCE WAVEFORMS

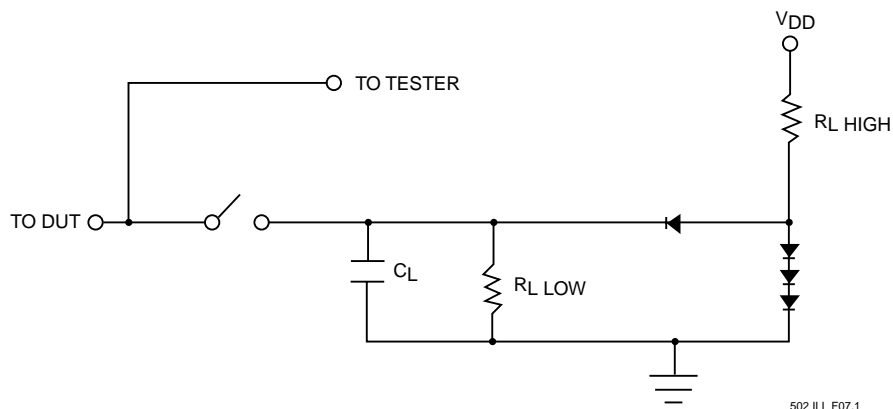
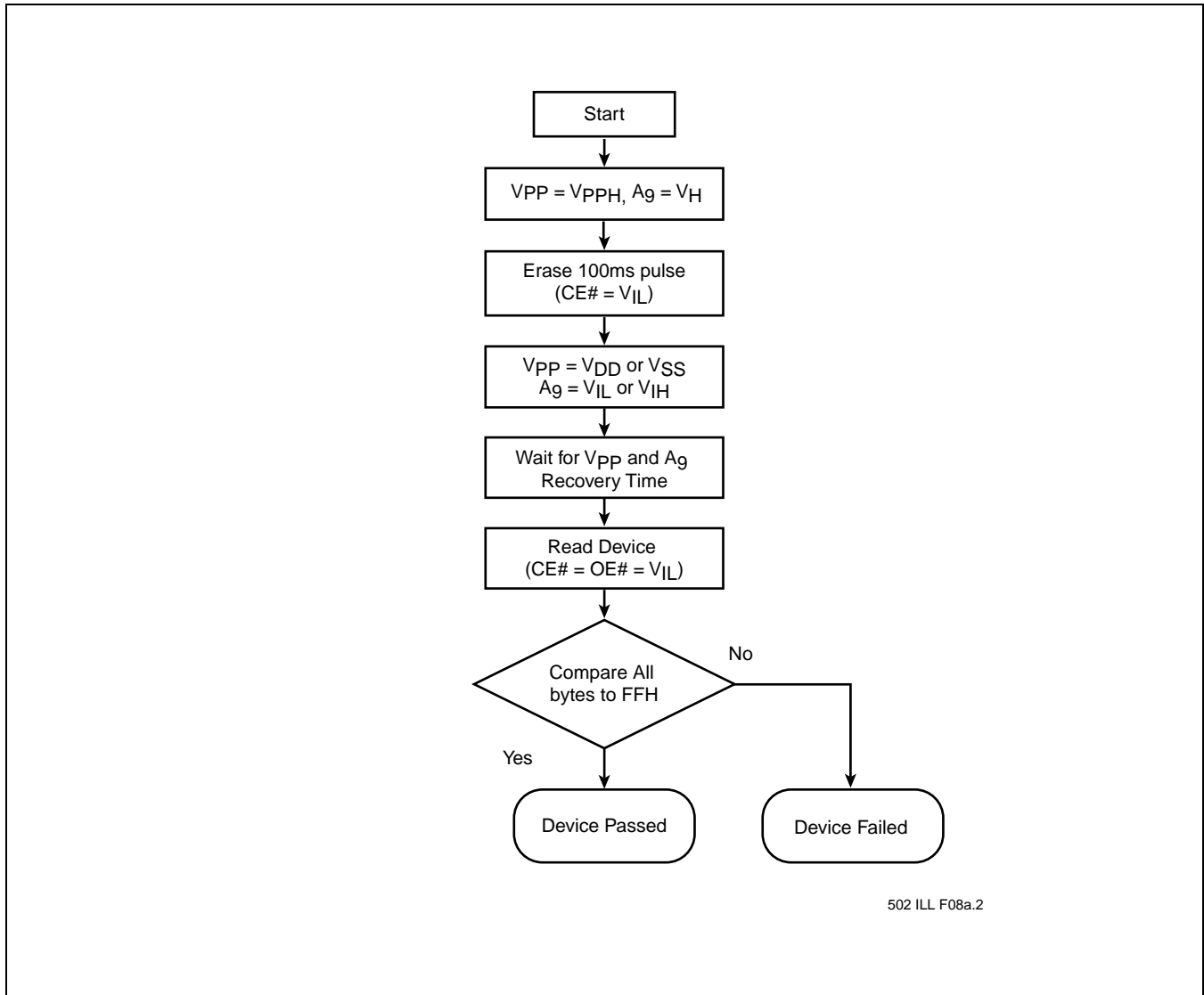


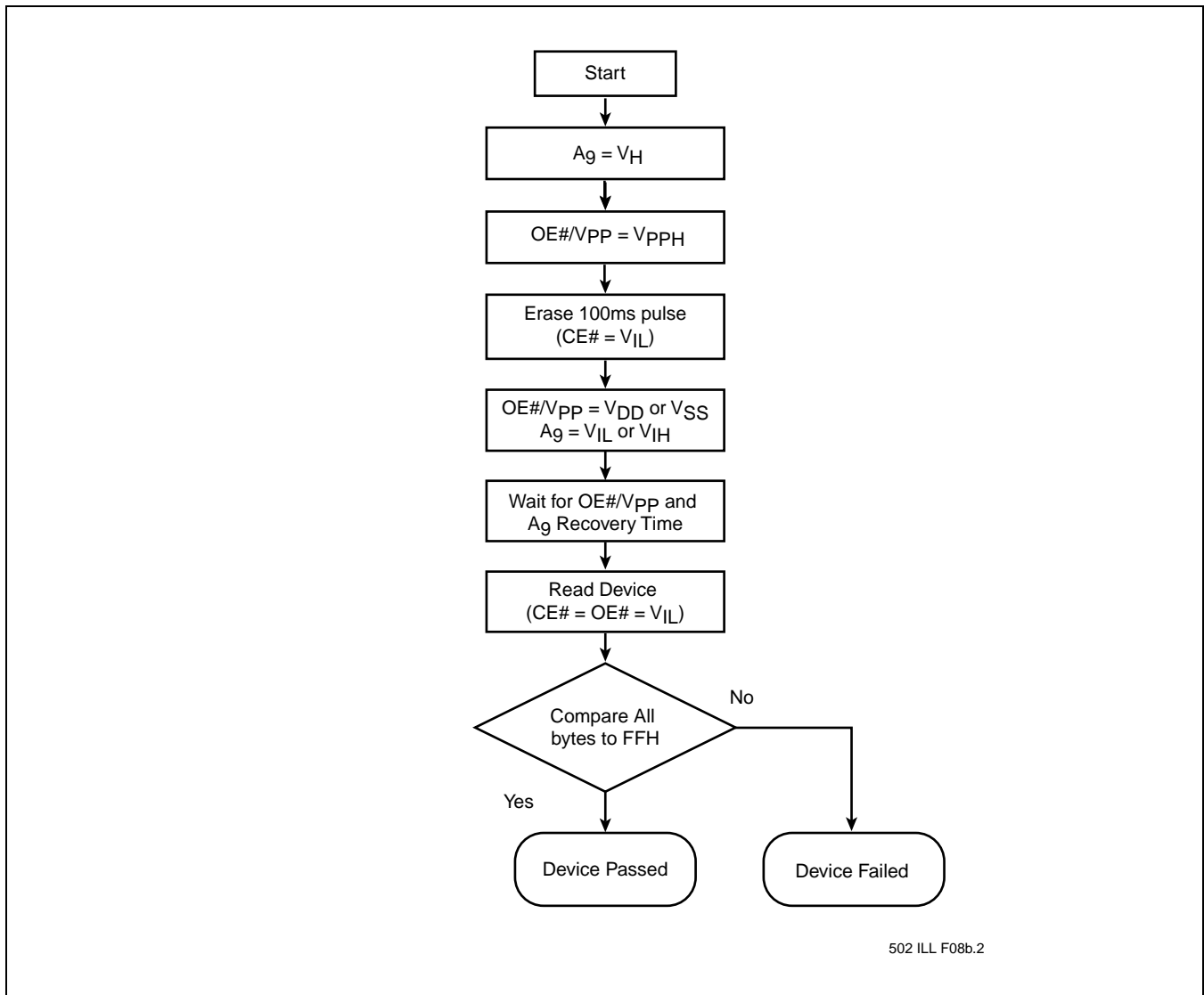
FIGURE 12: A TEST LOAD EXAMPLE





502 ILL F08a.2

FIGURE 13: CHIP-ERASE ALGORITHM FOR SST27SF256



502 ILL F08b.2

FIGURE 14: CHIP-ERASE ALGORITHM FOR SST27SF512

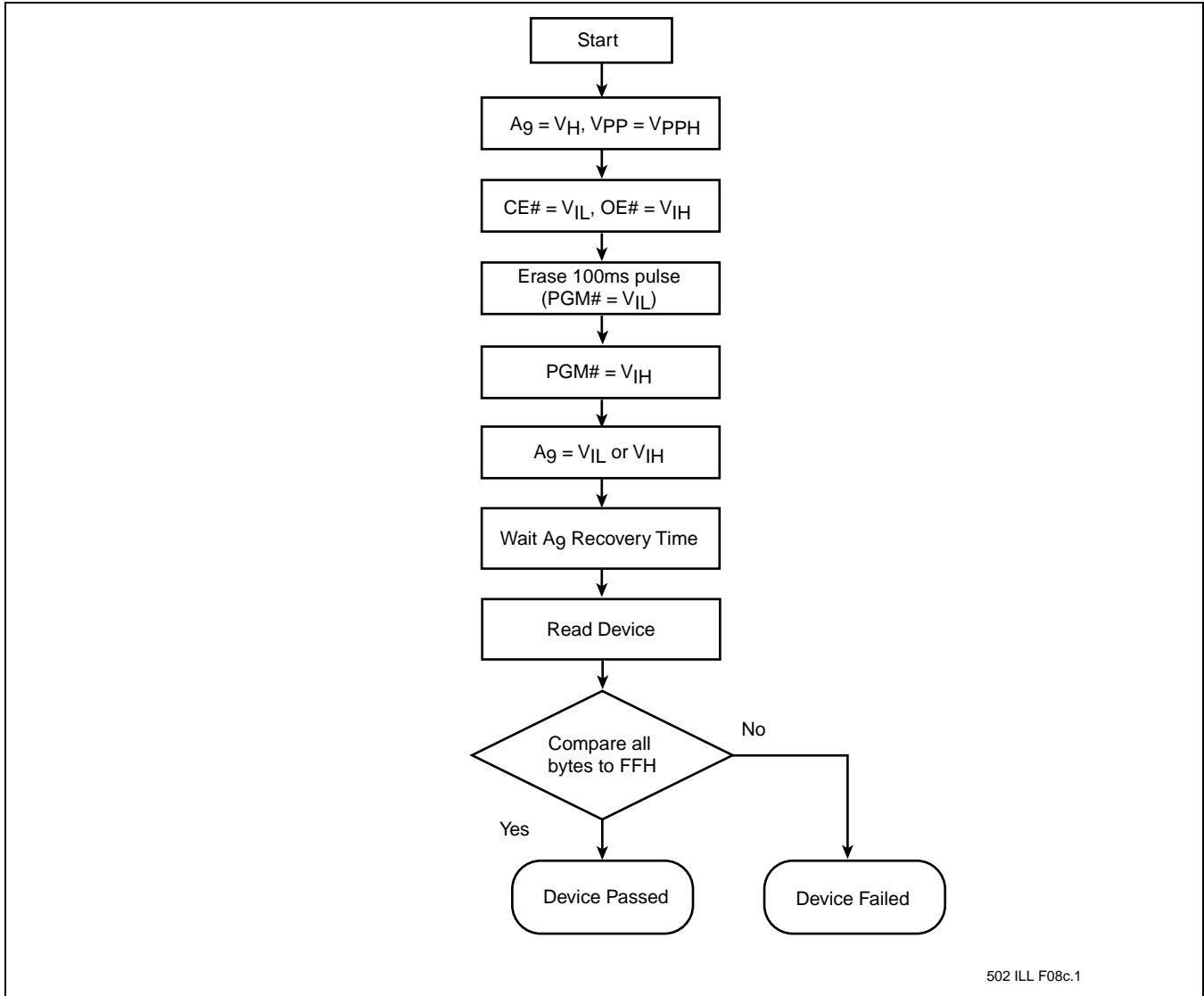
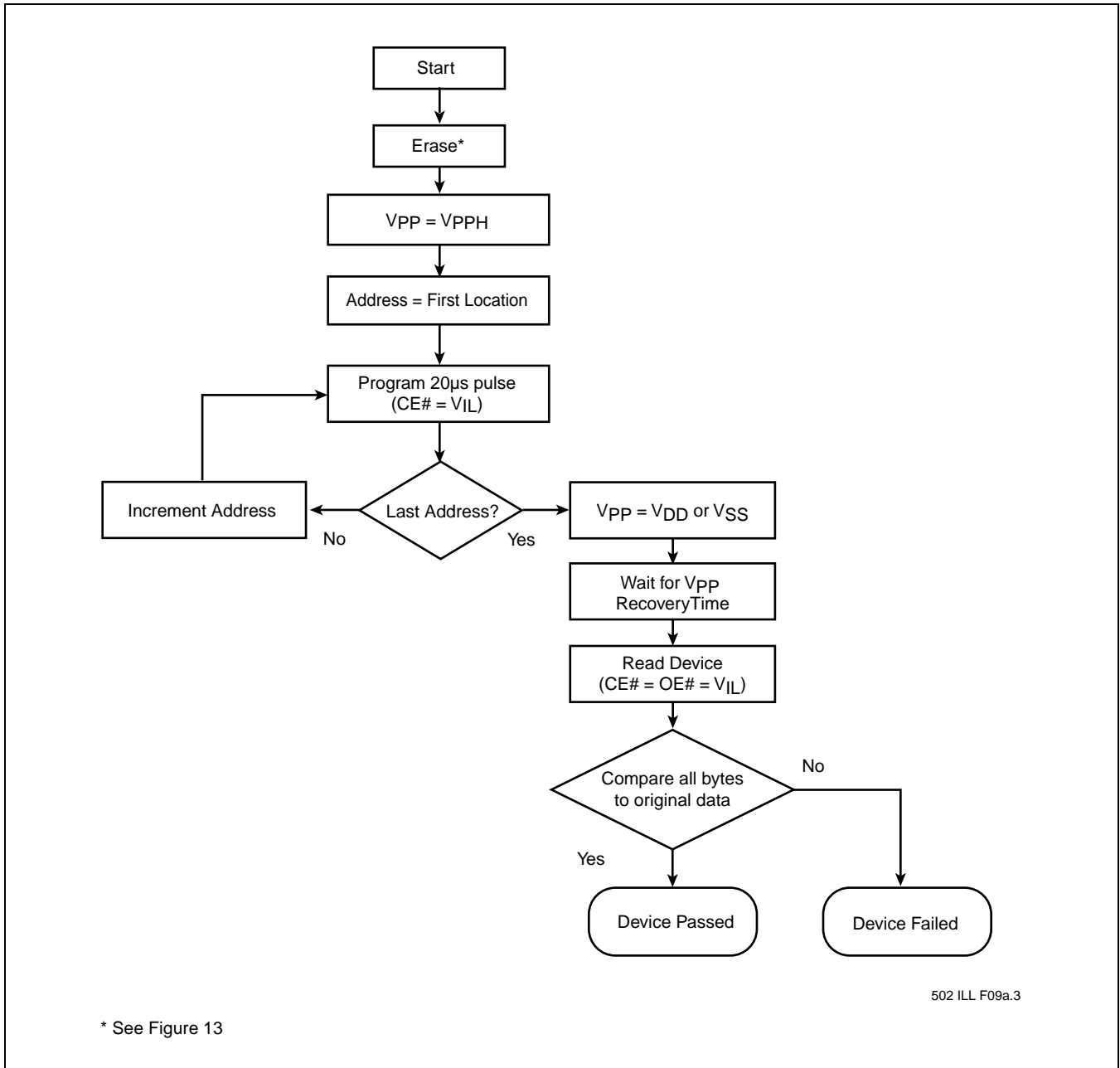


FIGURE 15: CHIP-ERASE ALGORITHM FOR SST27SF010/020



\* See Figure 13

502 ILL F09a.3

FIGURE 16: BYTE-PROGRAM ALGORITHM FOR SST27SF256

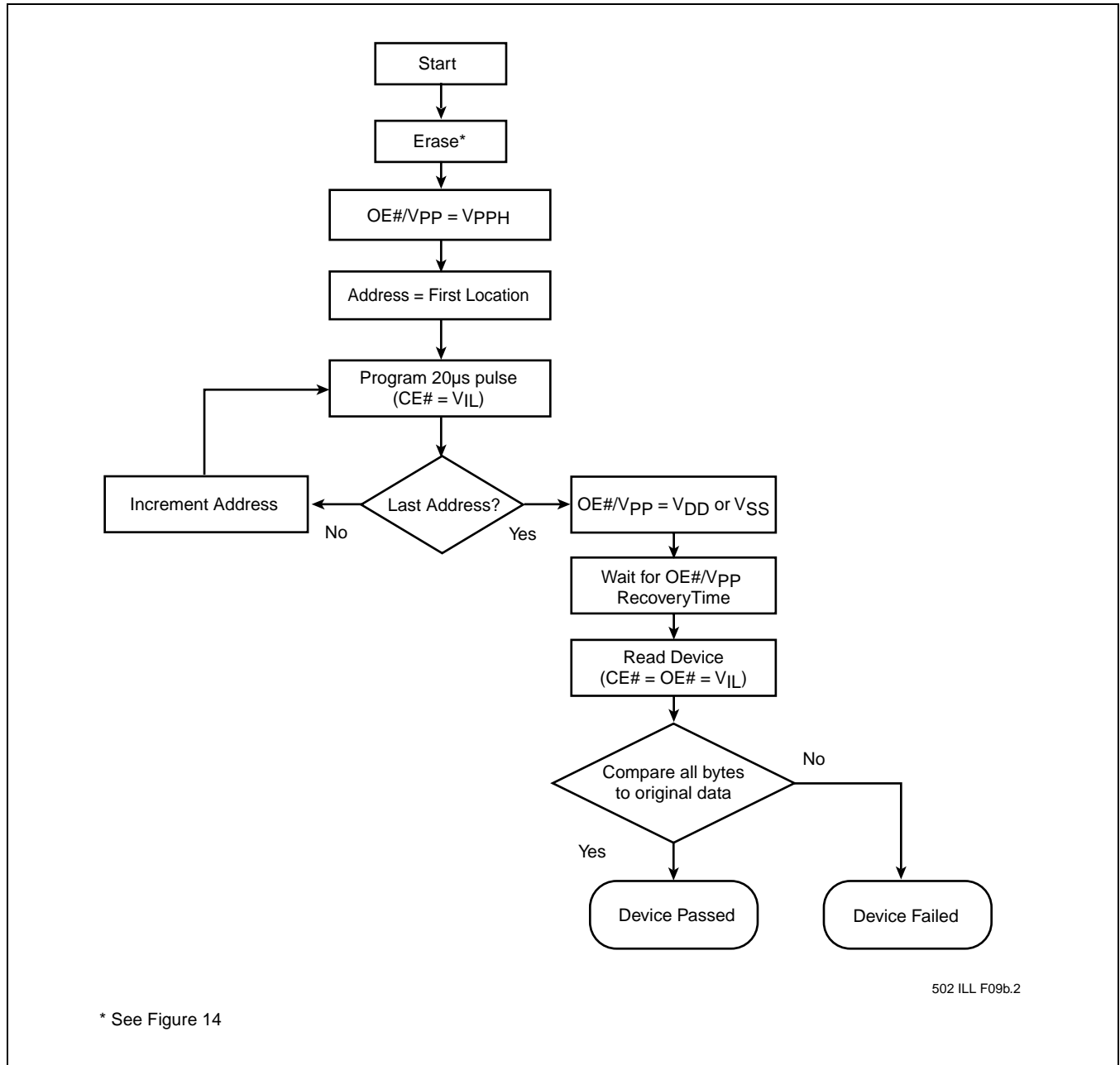


FIGURE 17: BYTE-PROGRAM ALGORITHM FOR SST27SF512

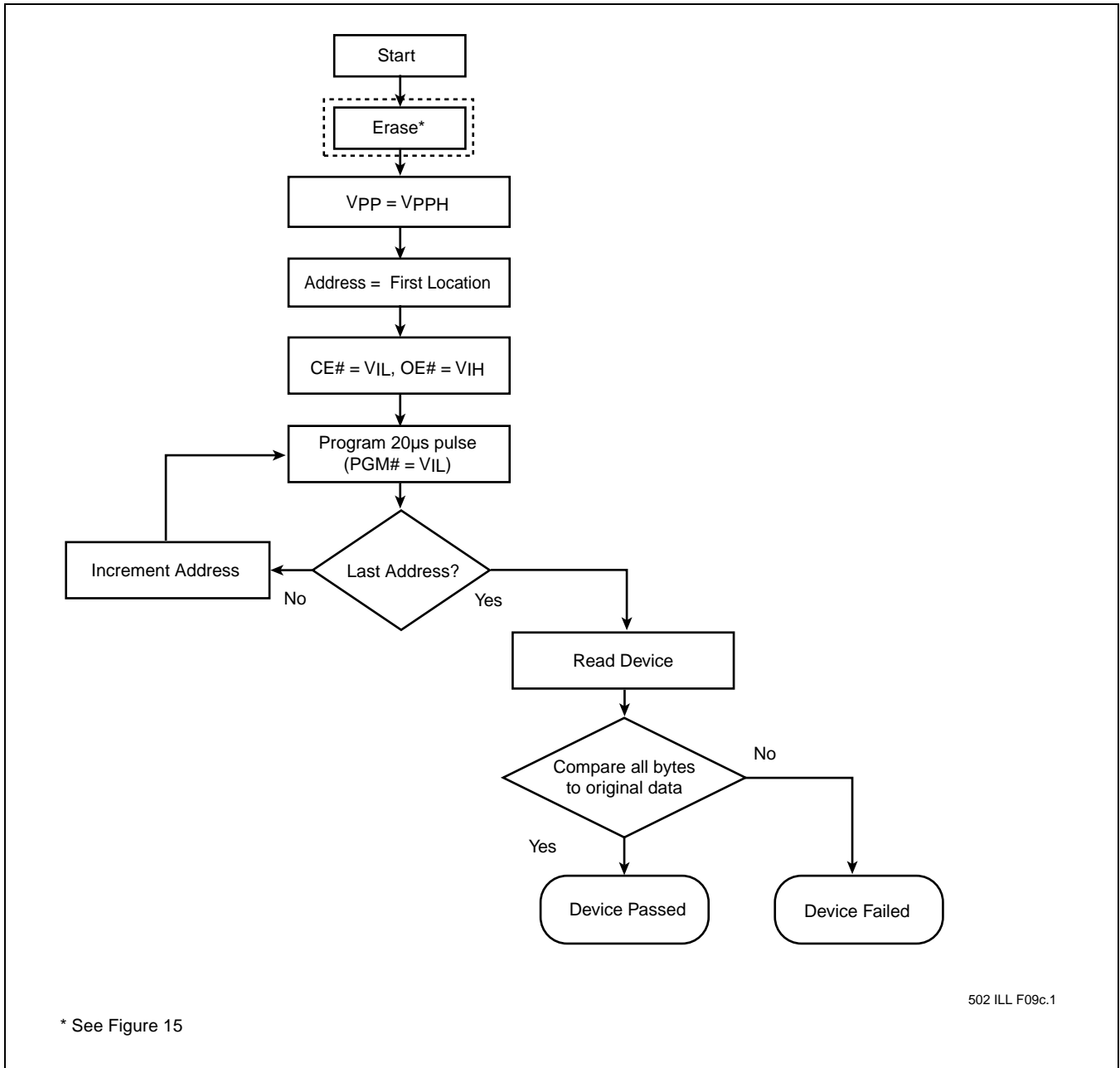
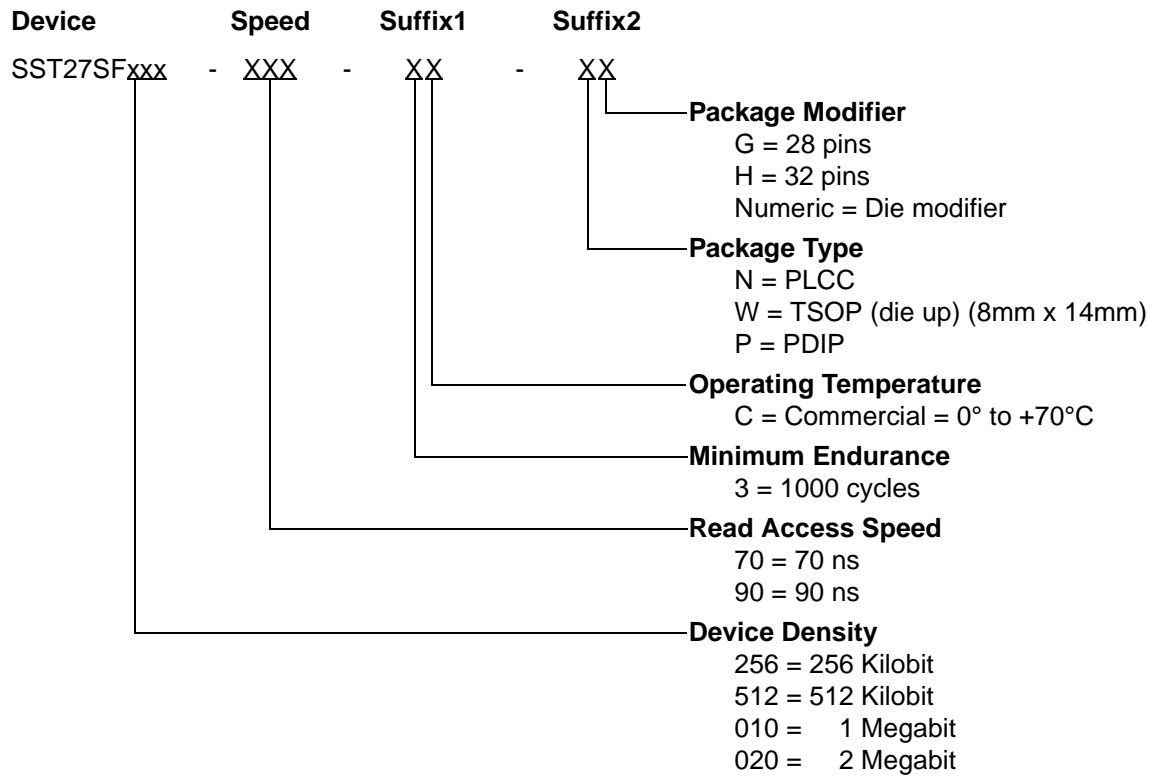


FIGURE 18: BYTE-PROGRAM ALGORITHM FOR SST27SF010/020

# 256 Kbit / 512 Kbit / 1 Mbit / 2 Mbit Multi-Purpose Flash SST27SF256 / SST27SF512 / SST27SF010 / SST27SF020



## Data Sheet





www.DataSheet4U.com  
**256 Kbit / 512 Kbit / 1 Mbit / 2 Mbit Multi-Purpose Flash**  
**SST27SF256 / SST27SF512 / SST27SF010 / SST27SF020**

Data Sheet

**Valid combinations for SST27SF256**

SST27SF256-70-3C-NH	SST27SF256-70-3C-WH	SST27SF256-70-3C-PG
SST27SF256-90-3C-NH	SST27SF256-90-3C-WH	SST27SF256-90-3C-PG

**Valid combinations for SST27SF512**

SST27SF512-70-3C-NH	SST27SF512-70-3C-WH	SST27SF512-70-3C-PG
SST27SF512-90-3C-NH	SST27SF512-90-3C-WH	SST27SF512-90-3C-PG

**Valid combinations for SST27SF010**

SST27SF010-70-3C-NH	SST27SF010-70-3C-WH	SST27SF010-70-3C-PH
SST27SF010-90-3C-NH	SST27SF010-90-3C-WH	SST27SF010-90-3C-PH

**Valid combinations for SST27SF020**

SST27SF020-70-3C-NH	SST27SF020-70-3C-WH	SST27SF020-70-3C-PH
SST27SF020-90-3C-NH	SST27SF020-90-3C-WH	SST27SF020-90-3C-PH

**Example:** Valid combinations are those products in mass production or will be in mass production. Consult your SST sales representative to confirm availability of valid combinations and to determine availability of new combinations.

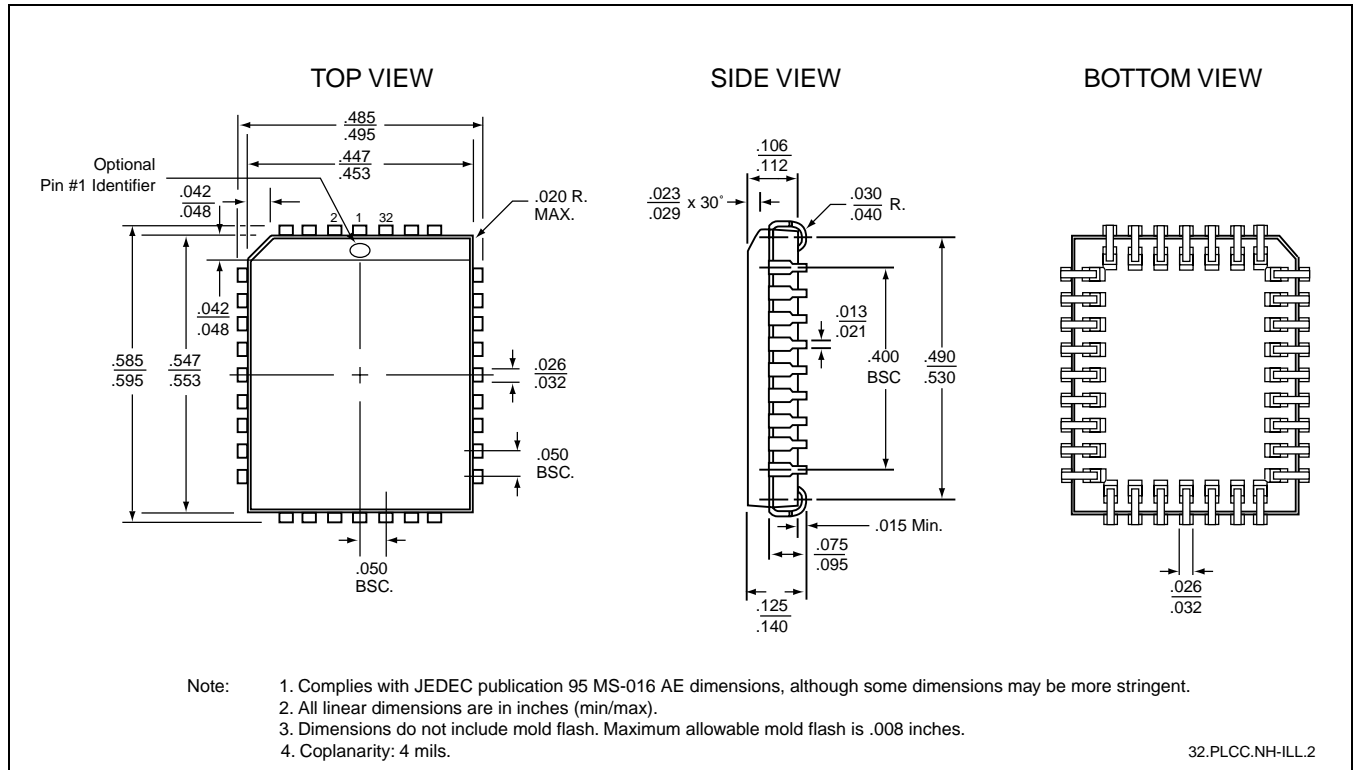


**256 Kbit / 512 Kbit / 1 Mbit / 2 Mbit Multi-Purpose Flash**  
**SST27SF256 / SST27SF512 / SST27SF010 / SST27SF020**

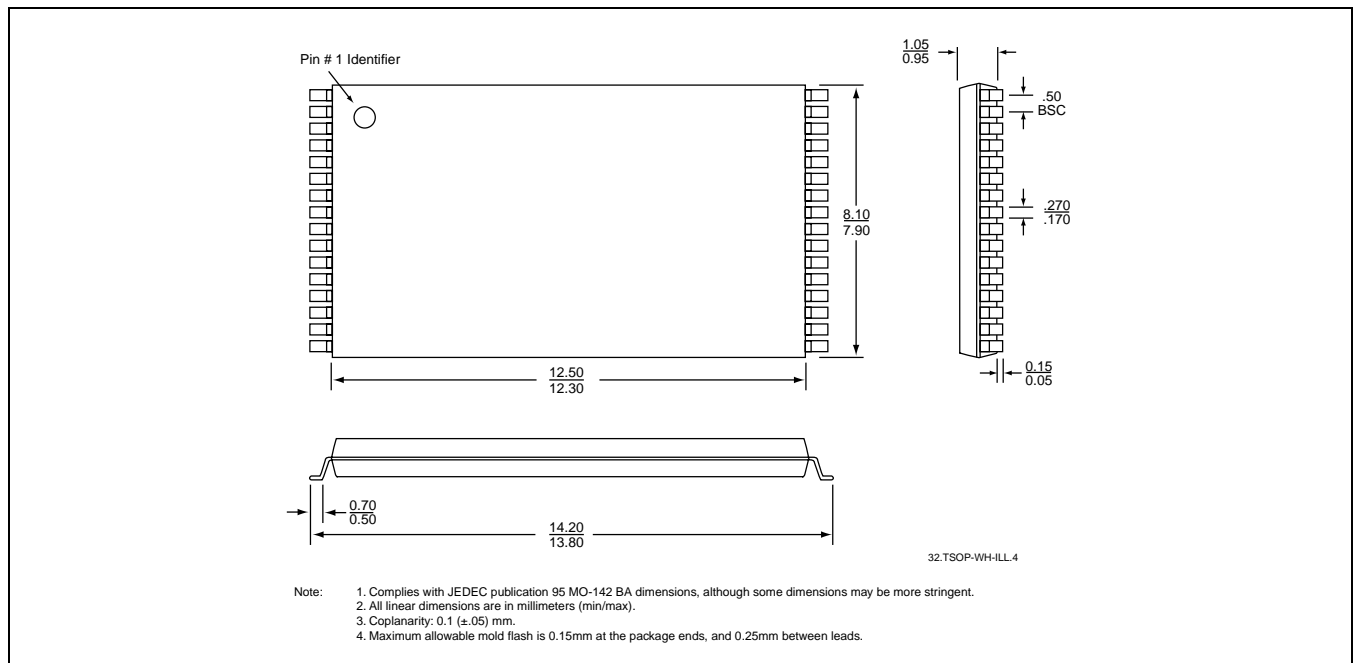


Data Sheet

**PACKAGING DIAGRAMS**



**32-PIN PLASTIC LEAD CHIP CARRIER (PLCC)**  
**SST PACKAGE CODE: NH**



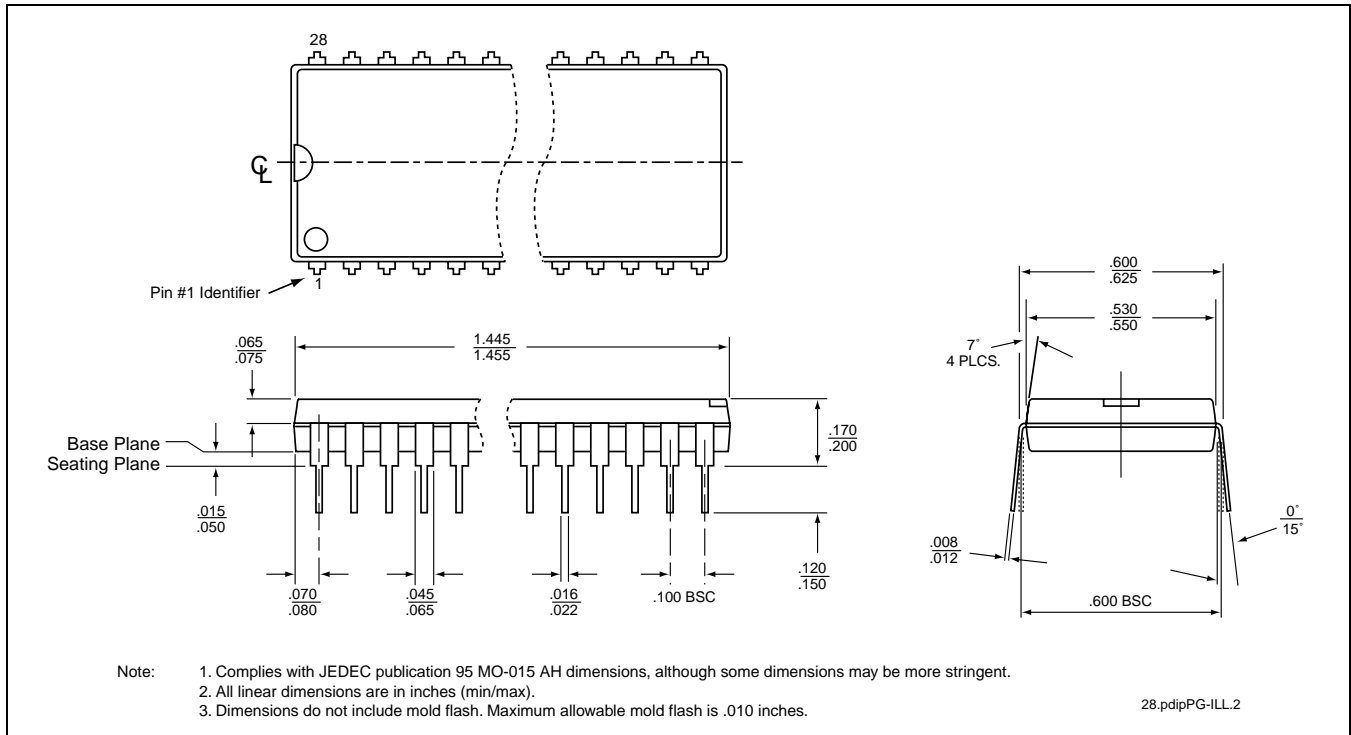
**32-PIN THIN SMALL OUTLINE PACKAGE (TSOP) 8MM X 14MM**  
**SST PACKAGE CODE: WH**



256 Kbit / 512 Kbit / 1 Mbit / 2 Mbit Multi-Purpose Flash  
 SST27SF256 / SST27SF512 / SST27SF010 / SST27SF020

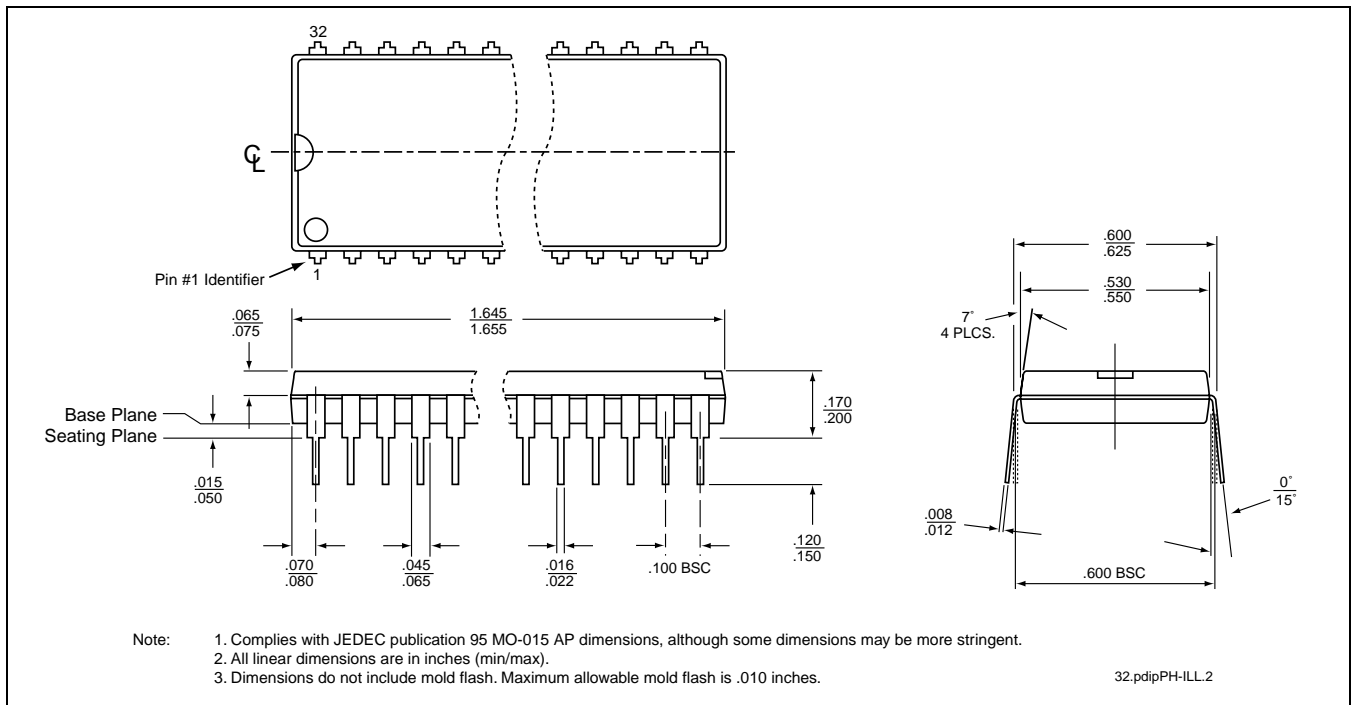
www.DataSheet4U.com

Data Sheet



**28-PIN PLASTIC DUAL-IN-LINE PACKAGE (PDIP)**

**SST PACKAGE CODE: PG**



**32-PIN PLASTIC DUAL-IN-LINE PACKAGE (PDIP)**

**SST PACKAGE CODE: PH**